



常州维琪库勒制冷设备有限公司
Changzhou Vrcoolertech Refrigeration Co.,Ltd

+86 156 1865 2003 info@vrcooler.com
281894269 kevin@vrcooler.com

中国江苏省常州市武进区常武路18-69号
No. 18-69, Changwu Road, Wujin District,
Changzhou, Jiangsu, China

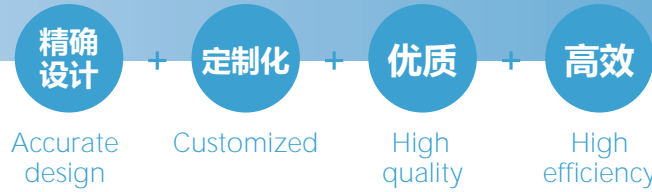
VRCOOLER

SMART
灵 动 系 列

RADIATOR

散热器

水、乙二醇、丙二醇
BitCool BC-888、EC-100、CL200、CL300、S3X、S5X
Oil、ISO VG 46、THERMAL OIL
R404A、R507A、R134A、R407C、R410A、R409A
Ammonia
CO2

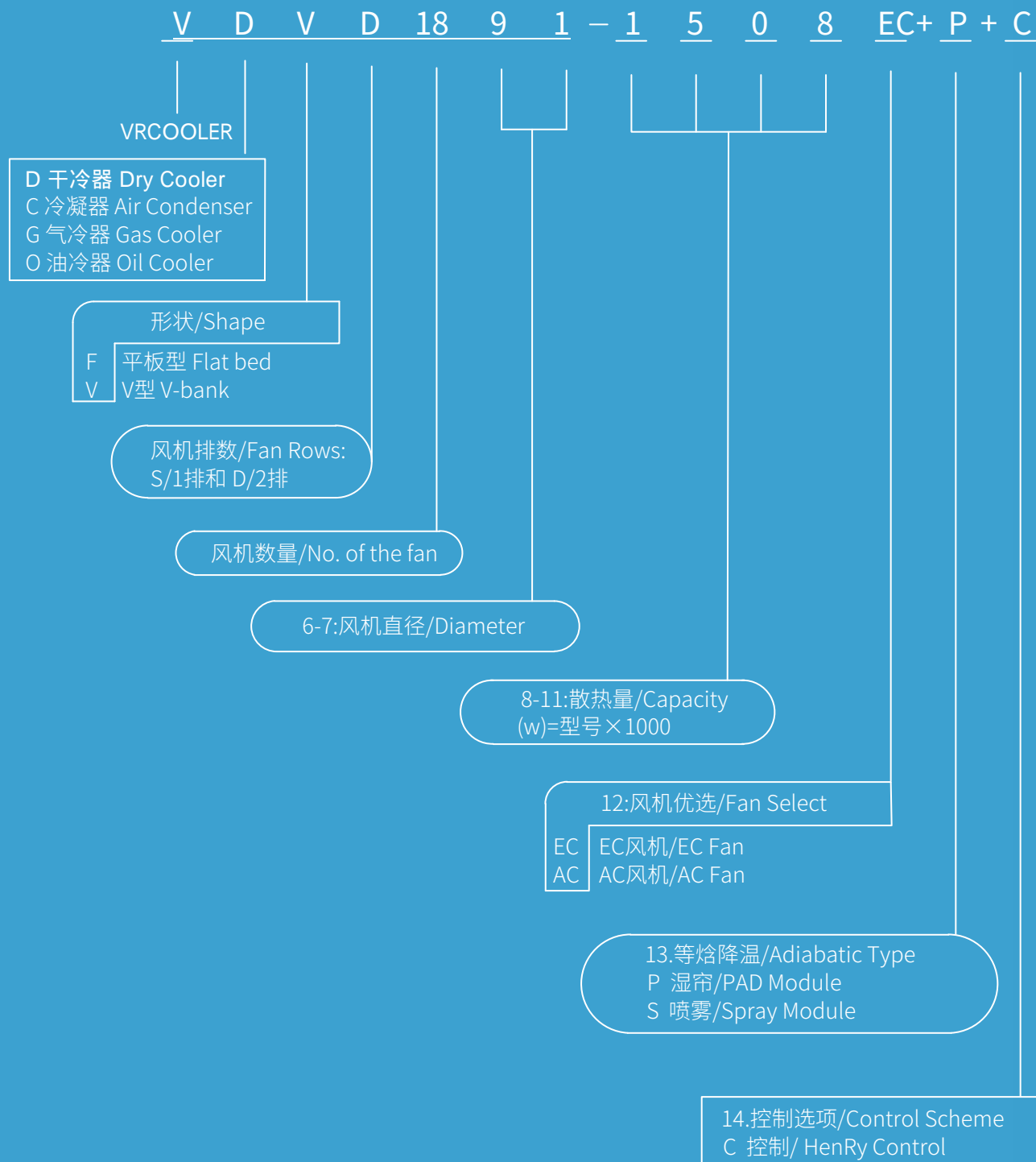


浸没式冷却 Immersion cooling

www.vrcoolertech.com

常州维琪库勒制冷设备有限公司
Changzhou Vrcoolertech Refrigeration Co., Ltd

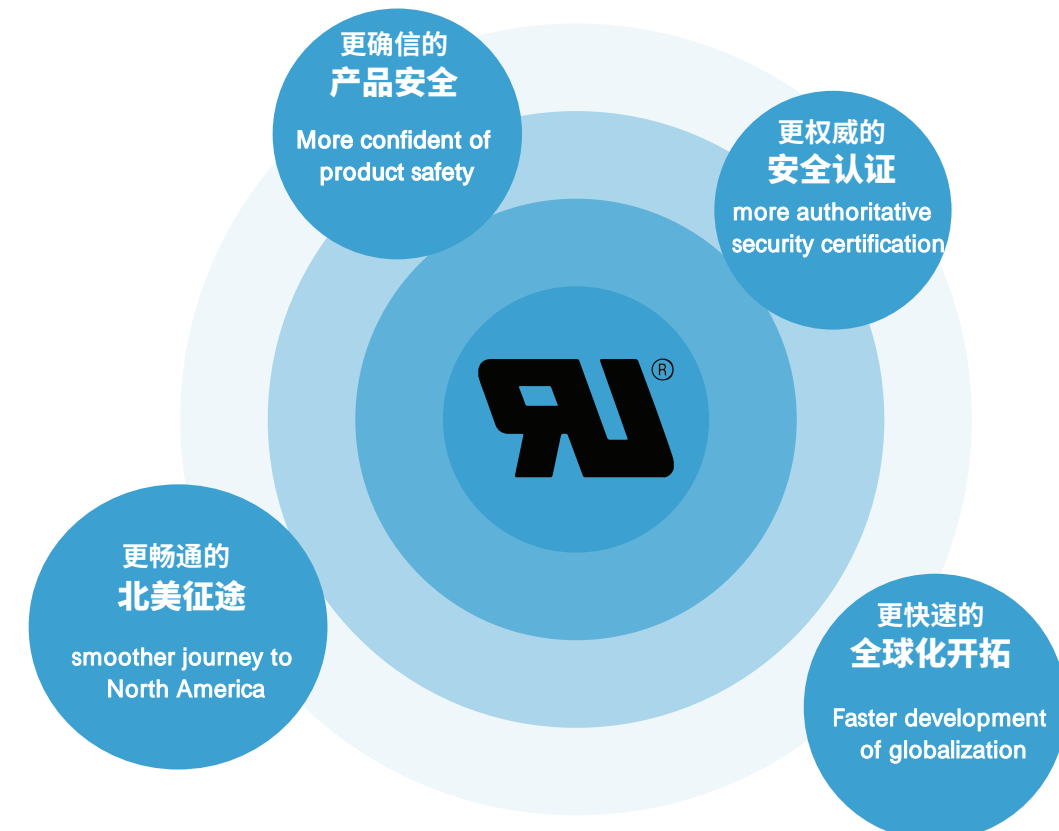
散热器的命名规则 Radiator Nomenclature



模具规格 | Fin Tooling Specification

No.	模具规格 Mode Specification	排布方式 Arrangement distribution	翅片间距 Fin Space	尺寸 Dimensions		光管/内螺纹 Bare Tube / Grooved Tube	产品应用 Product Application	图样 Reference
				A	B			
1	Φ 7	等边三角形 EQUILATERAL TRIANGLE	1.4~3mm	25	21.65	光管 Bare Tube	气冷器、冷凝器 Gas Cooler / Condenser	
2	Φ 9.52	等边三角形 EQUILATERAL TRIANGLE	1.8~7mm	25	21.65	内螺纹 Grooved Tube 光管 Bare Tube	冷凝器、干冷器 Condenser / Dry Cooler	
3	Φ 12	等腰三角形 ISOSCELE TRIANGLE	1.6~6mm	50	25	内螺纹 Grooved Tube 光管 Bare Tube SUS304 SUS316L	气冷器、冷凝器、干冷器 Gas Cooler / Condenser / Dry Cooler	
4	Φ 12.7	等边三角形 EQUILATERAL TRIANGLE	1.8~8mm	31.75	27.5	内螺纹 Grooved Tube 光管 Bare Tube	冷凝器、干冷器 Condenser / Dry Cooler	
5	Φ 15.88	等边三角形 EQUILATERAL TRIANGLE	1.8~9mm	38.1	33	内螺纹 Grooved Tube 光管 Bare Tube SUS304 SUS316L	干冷器 Dry Cooler	

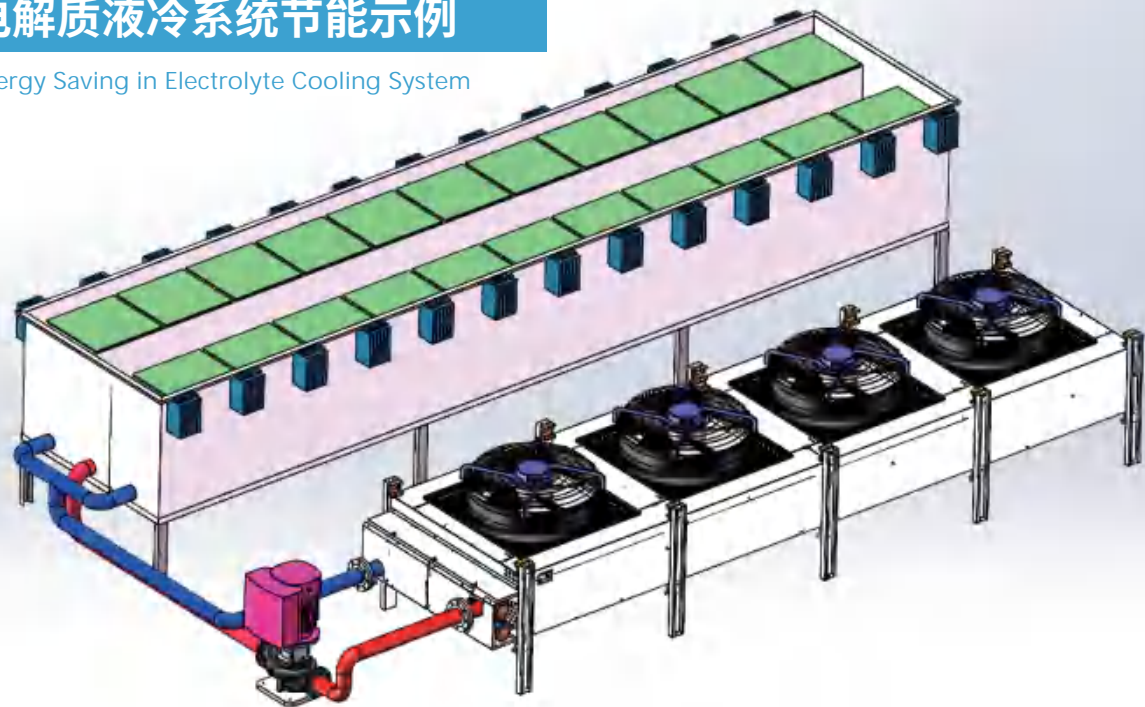
UL认证的优势 Advantages of the UL Certification



Immersion Cooling

电解质液冷系统节能示例

Energy Saving in Electrolyte Cooling System



如图1 Figure 1

A certain type of electrolyte with a certain flow rate in the tube, an inlet temperature of 57 ° C, an outlet temperature of 50 ° C and an ambient temperature of 45 ° C operating conditions, using the EC fan at full speed, as shown in Figure 2, the heat dissipation capacity of the heat sink will increase as the ambient temperature decreases. When the ambient temperature drops to 30 ° C, the heat dissipation is twice as high; when it drops to 15 ° C the heat dissipation is three times as high. With the Vrcooler Energy Mangement control system, the speed of the fan can be controlled to save energy.

Under the above operating conditions, the EC fan is used, as shown in Figure 3 (temperature - speed and power line), when the ambient temperature drops, the radiator fan will reduce the speed, when the ambient temperature drops from 38 ° C to 35 ° C, using the Vrcooler Energy Mangement control system, the fan's speed speed decreases from 100% to 70.27% and the power of the fan also changes with the power of the fan was reduced from 100% to 28.81%, significantly reducing the fan The energy consumption of the fans was reduced significantly.

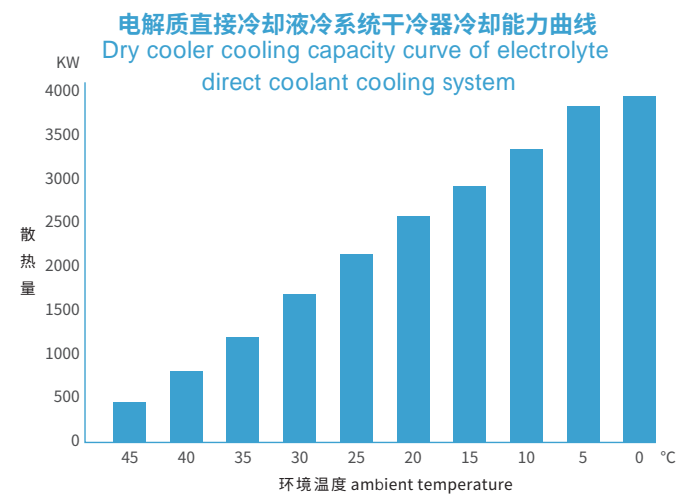


图2 Figure 2

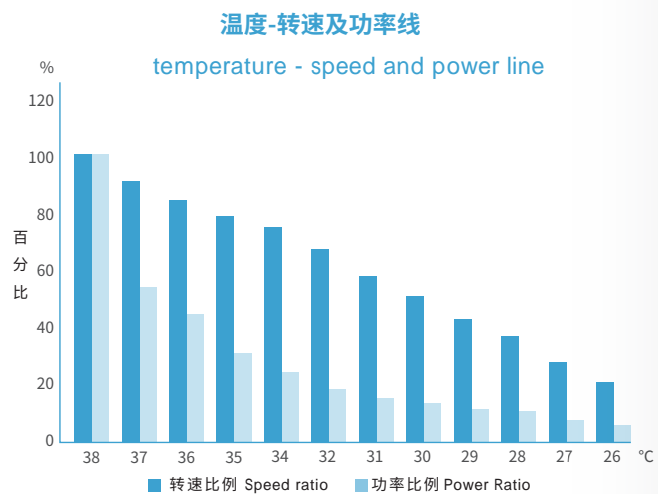


图3 Figure 3

Free Cooling

空调系统自由冷却节能示例

Energy Saving for Free Cooling of the Air-conditioning System

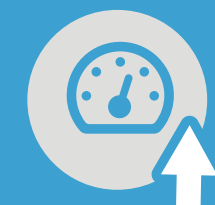
- In industrial production occasions with continuous heat load or the inner zone of large building system, take * Ling screw air cooled chiller RCTC300S as an example (excluding the power consumption of the pump), 300 cold ton unit, cooling capacity is 1044.3kW, cooling input power is 374kW, the total heat dissipation of condenser in summer is 1418.3kW, environmental refrigerant R134a, the inlet and outlet temperature of chilled water is 7 / 12 ; the ambient temperature is 38°C, condensation temperature is 54°C , the inlet and outlet temperature of condenser cooling water is 48 / 54°C;
- Select a dry cooler 20 EC910 fan, speed 750 RPM, fan power 0.915kW, total dry cooler power 18.3kW, then the combined COP value is 1044.3/ (374 + 18.3) =2.7;
- When the environment drops to-0.5°C, the dry cooler for direct cooling can meet the temperature of chilled water is 7 / 12 and the cooling capacity is 1056kW, then the COP value is 1056/18.3=57.7;
- The ratio of COP was 21.3 times;
- Running continuously for three months, energy saving can be achieved (374-18.3) * 24 * 30 * 3=768312kWh



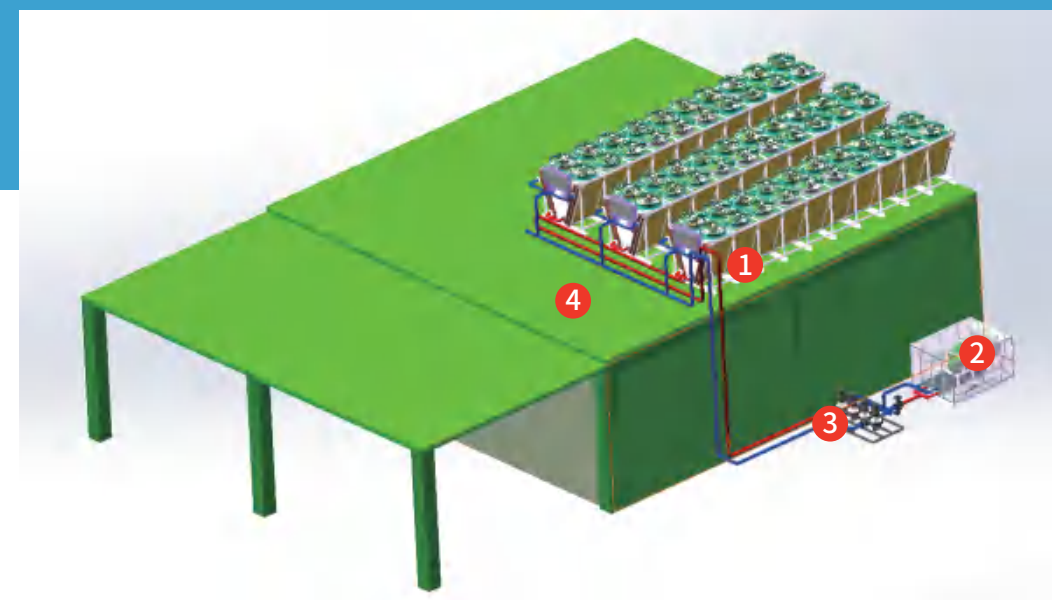
能源成本降低
Lower Energy Costs



设备维护成本降低
Reduce the Equipment Maintenance Cost



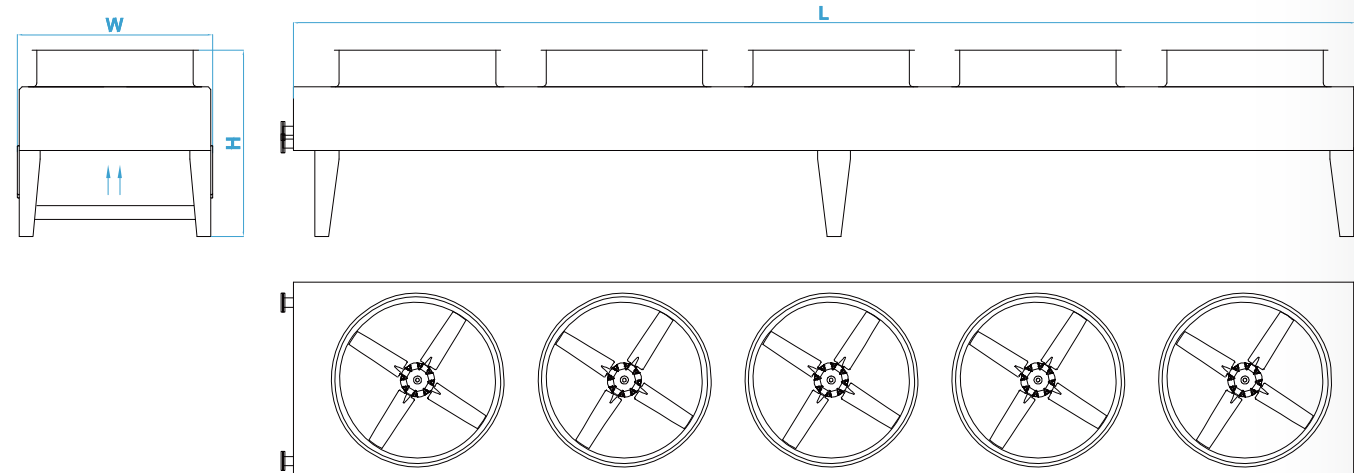
设备使用寿命更长
Longer equipment life



① Dry Cooler ② Water Chiller System ③ Hump System ④ Data Center

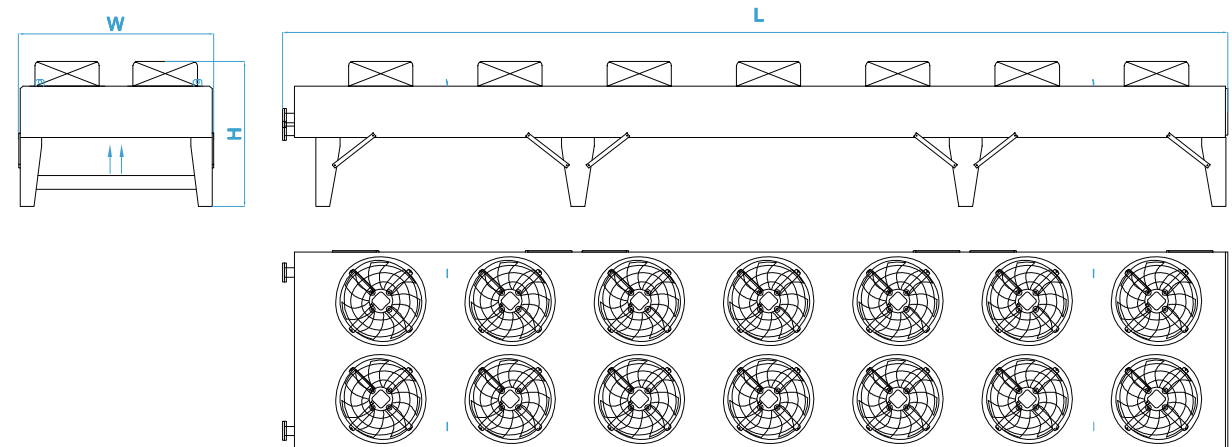
FLAT SERIES SINGLE ROW FANS

V*FS*91 V*FS*125 V*FS*180	Fan Dim mm	*	V*FS191	V*FS291	V*FS391	V*FS491	V*FS591	V*FS691	V*FS791	V*FS891	
			V*FS1125	V*FS2125	V*FS3125	V*FS4125	V*FS5125	V*FS6125	V*FS712	V*FS8125	
			V*FS1180	V*FS2180	V*FS3180	V*FS4180	V*FS5180	V*FS6180	V*FS7180	V*FS8180	
			Rated Capacities (kW) Heat Exchange Surface(m ²)								
Fluid Coolers	910	D	61kW-648kW 120m ² -2307m ² (Water/Ta25°C/Tin40°C/Tout35°C)								
	1250		138kW-1528kW 302m ² -4542m ² (Water/Ta25°C/Tin40°C/Tout35°C)								
	1800		198kW-1920kW 363m ² -5084m ² (Water/Ta25°C/Tin40°C/Tout35°C)								
Freon Condensers	910	F	73kW-764kW 120m ² -2307m ² (R404A/Ta35°C/Tk50°C)								
	1250		166kW-1549kW 302m ² -4842m ² (R404A/Ta35°C/Tk50°C)								
	1800		230kW-1920kW 330m ² -5103m ² (R404A/Ta35°C/Tk50°C)								
Ammonia Condensers	910	A	72kW-779kW 141m ² -2721m ² (NH3/Ta35°C/Tk50°C)								
	1250		181kW-1554kW 351m ² -5625m ² (NH3/Ta35°C/Tk50°C)								
	1800		262kW-1986kW 421m ² -5907m ² (NH3/Ta35°C/Tk50°C)								
Gas Coolers	910	G	49kW-862kW 96m ² -1824m ² (CO2/Tair32°C/Tin113°C/P94Bar/Tout34°C)								
Oil Coolers	910	O	49kW-1041kW 120m ² -2307m ² (OIL ISO VG 46/Ta35°C/Tin85°C/Tout60°C)								
	1250		75kW-2021kW 302m ² -4842m ² (OIL ISO VG 46/Ta35°C/Tin85°C/Tout60°C)								
	1800		92kW-2505kW 330m ² -5103m ² (OIL ISO VG 46/Ta35°C/Tin85°C/Tout60°C)								
Fan Model	910	EC	W3G910KU2503(2.55kW) or FN091-ZIQ.GLV5P1(3.2kW)								
	910	AC	W6D910GB0101(2.02kW) or FN091-SDS.6N.V7P2 (1.85kW)								
	1250	EC	160M2-8P-5.5kW/720RPM/1250_5-5_LP_39°_PPG_9W2L								
	1250	AC	160M2-8P-5.5kW/720RPM/1250_5-5_LP_39°_PPG_9W2L								
	1800	AC	180L-8P-11kW/720RPM/1790_4-8_32_PPG_9W2L								
No of Fans			1	2	3	4	5	6	7	8	
Overall Dimensions	910	Lenth-1	1980	3480	4980	6480	7980	9480	10980	12480	
		Lenth-2	2280	4080	5880	7680	9480	11280	13080	14880	
		Width	1230								
		Height	1740(Including 800Leg)								
	1250	Lenth	2600	4600	6600	8600	10600	12600	14600	16600	
		Width	2280								
	1800	Height	1970(Including 800Leg)								
		Lenth	3000	5400	7800	10200	12600	15000	17400	//	
		Width	2280								
	Height	2170(Including 1000Leg)									



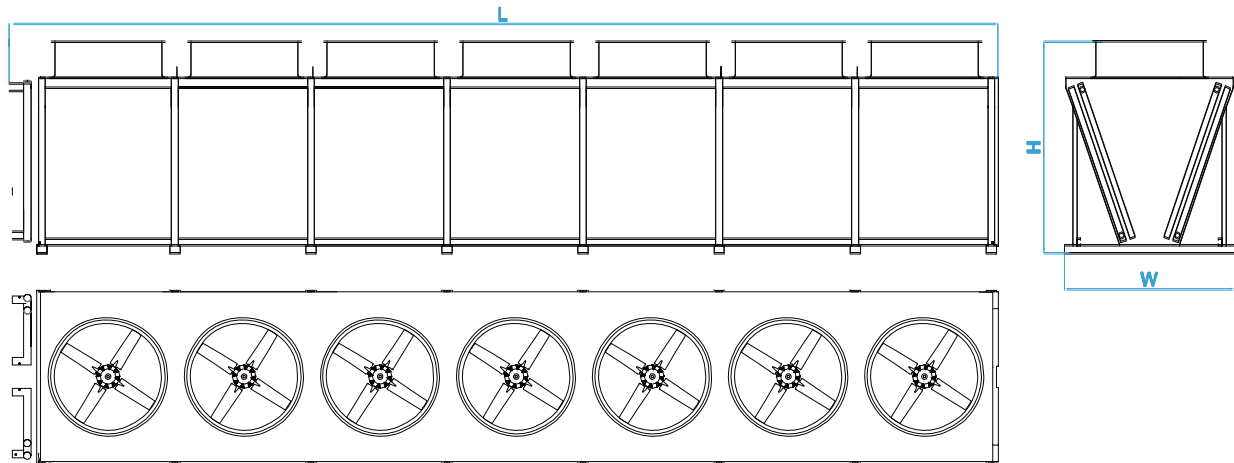
FLAT SERIES DOUBLE ROWS FANS

V*FD*91	Fan Dim mm	*	V*FD491	V*FD691	V*FD89	V*FD1091	V*FD1291	V*FD1491	V*FD1691	V*FD1891	
			Rated Capacities (kW) Heat Exchange Surface(m ²)								
Fluid Coolers	910	D	237kW-1632kW 454m ² -4903m ² (Water/Ta25°C/Tin40°C/Tout35°C)								
Freon Condensers	910	F	285kW-1632kW 454m ² -4903m ² (R404A/Ta35°C/Tk50°C)								
Ammonia Condensers	910	A	151kW-1709kW 263m ² -5696m ² (NH3/Ta35°C/Tk50°C)								
Gas Coolers	910	G	156kW-1929kW 358m ² -3859m ² (CO2/Tair32°C/Tin113°C/P94Bar/Tout34°C)								
Oil Coolers	910	O	174kW-2212kW 454m ² -4903m ² (OIL ISO VG 46/Ta35°C/Tin85°C/Tout60°C)								
Fan Model	910	EC	W3G910KU2503(2.55kW) or FN091-ZIQ.GLV5P1(3.2kW)								
	910	AC	W6D910GB0101(2.02kW) or FN091-SDS.6N.V7P2 (1.85kW)								
No of Fans			4	6	8	10	12	14	16	18	
Overall Dimensions	910	Lenth-1	3480	4980	6480	7980	9480	10980	12480	13980	
		Lenth-2	4080	5880	7680	9480	11280	13080	14880	16680	
		Width	2265								
		Height	1740(Including 800Leg)								



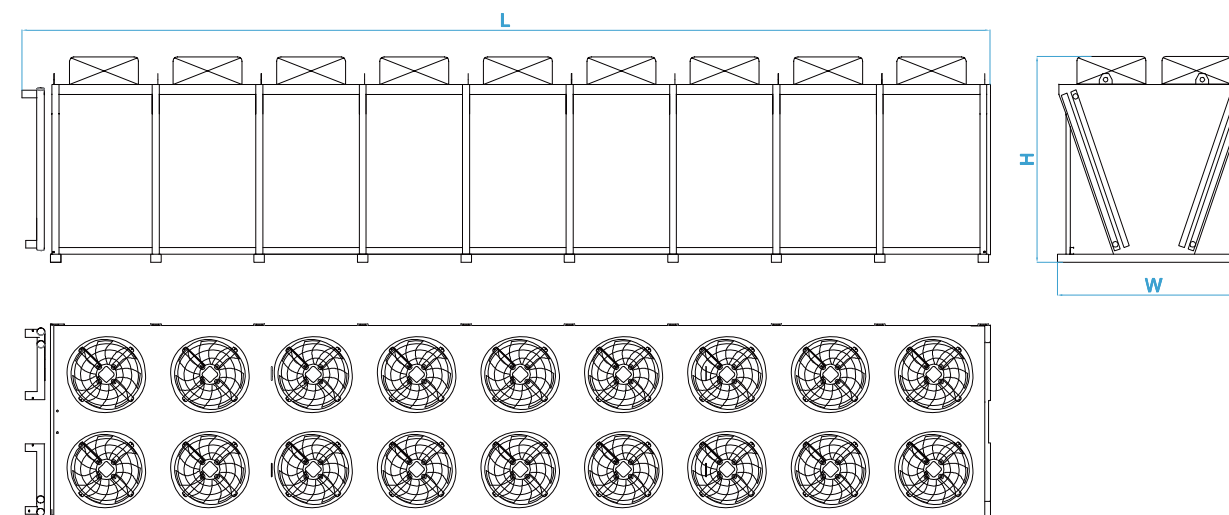
V-SERIES SINGLE ROW FANS

V*VS*91 V*VS*125 V*VS*180	Van Dim mm	*	V*VS191	V*VS291	V*VS391	V*VS491	V*VS591	V*VS691	V*VS791	V*VS891	V*VS991	V*VS1091
			V*VS1125	V*VS212	V*VS3125	V*VS4125	V*VS5125	V*VS6125	V*VS7125	V*VS8125	V*VS9125	V*VS10125
			Rated Capacities (kW) Heat Exchange Surface(m²)									
Fluid Coolers	910	D	69kW-1050kW 171m ² -4711m ² (Water/Ta25°C/Tin40°C/Tout35°C)									
	1250		182kW-2056kW 481m ² -8546m ² (Water/Ta25°C/Tin40°C/Tout35°C)									
	1800		398kW-4263kW 1326m ² -19891m ² (Water/Ta25°C/Tin40°C/Tout35°C)									
Freon Condensers	910	F	86kW-1167kW 171m ² -4711m ² (R404A/Ta35°C/Tk50°C)									
	1250		212kW-2340kW 481m ² -8546m ² (R404A/Ta35°C/Tk50°C)									
	1800		422kW-4085kW 1606m ² -16069m ² (R404A/Ta35°C/Tk50°C)									
Ammonia Condensers	910	A	93kW-1234kW 203m ² -6027m ² (NH3/Ta35°C/Tk50°C)									
	1250		201kW-2377kW 502m ² -10046m ² (NH3/Ta35°C/Tk50°C)									
	1800		437kW-4419kW 1606m ² -16069m ² (NH3/Ta35°C/Tk50°C)									
Gas Coolers	910	G	81kW-1534kW 259m ² -4711m ² (CO2/Tair32°C/Tin113°C/P94Bar/Tout34°C)									
Oil Coolers	910	O	65kW-2126kW 171m ² -4711m ² (OIL ISO VG 46/Ta35°C/Tin85°C/Tout60°C)									
	1250		176kW-3548kW 481m ² -8546m ² (OIL ISO VG 46/Ta35°C/Tin85°C/Tout60°C)									
Fan Model	910	EC	W3G910KU2503(2.55kW) or FN091-ZIQ.GLV5P1(3.2kW)									
	910	AC	W6D910GB0101(2.02kW) or FN091-SDS.6N.V7P2 (1.85kW)									
	1250	EC	160M2-8P-5.5kW/720RPM/1250_5-5_LP_39°_PPG_9W2L									
	1250	AC	160M2-8P-5.5kW/720RPM/1250_5-5_LP_39°_PPG_9W2L									
No of Fans			1	2	3	4	5	6	7	8	9	10
Overall Dimensions	910	Lenth	1530	2730	3930	5130	6330	7530	8730	9930	11130	12330
		Width	1150									
		Width+Pad	1400									
		Height	1720									
Overall Dimensions	1250	Lenth	1930	3530	5130	6730	8330	9930	11530	13130	14730	16330
		Width	2000									
		Width+Pad	2260									
		Height	2360									
Overall Dimensions	1800	Lenth	2800	5200	7600	10000	12400	14800	17200	19600	22000	24400
		Width	2700									
		Width+Pad	3000									
		Height	3080									



V-SERIES DOUBLE ROWS FANS

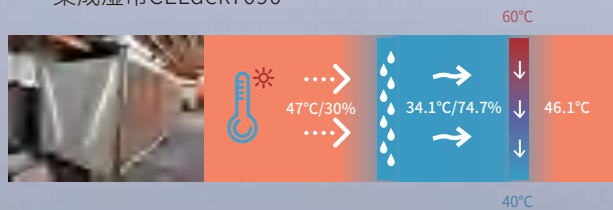
V*FD*91	Fan Dim mm	*	V*FD491	V*FD691	V*FD891	V*FD1091	V*FD1291	V*FD1491	V*FD1691	V*FD1891	V*FD2091	V*FD2291	V*FD2491	V*FD2691	V*FD2891
			Rated Capacities (kW) Heat Exchange Surface(m²)												
Fluid Coolers	910	D	377kW-3212kW 641m ² -14767m ² (Water/Ta25°C/Tin40°C/Tout35°C)												
Freon Condensers	910	F	339kW-3170kW 641m ² -14767m ² (R404A/Ta35°C/Tk50°C)												
Ammonia Condensers	910	A	357kW-3279kW 751m ² -14767m ² (NH3/Ta35°C/Tk50°C)												
Gas Coolers	910	G	344kW-2311kW 728m ² -10738m ² (CO2/Tair32°C/Tin113°C/P94Bar/Tout34°C)												
Oil Coolers	910	O	228kW-5797kW 641m ² -14767m ² (OIL ISO VG 46/Ta35°C/Tin85°C/Tout60°C)												
Fan Model	910	EC	W3G910KU2503(2.55kW) or FN091-ZIQ.GLV5P1(3.2kW)												
	910	AC	W6D910GB0101(2.02kW) or FN091-SDS.6N.V7P2 (1.85kW)												
No of Fans			4	6	8	10	12	14	16	18	20	22	24	26	28
Overall Dimensions	Lenth	mm	2730	3930	5130	6330	7530	8730	9930	11130	12330	13530	14730	15930	17130
	Width	mm	2250/ 2800												
	Width+Pad	mm	2510/ 3060												
	Height	mm	2460												



我们的优势

专业系统集成

- 定制化的尺寸
- 专业的热力学计算
- 权威的抗震设计
- 集成湿帘CELdek7090



Professional system integration

- Customized size
- Professional thermodynamic calculation
- Authoritative seismic design
- Integrated wet curtain, CELdek7090

不同的连接选择

- 法兰连接
- 螺纹连接
- 焊接

Different connection options

- Flange connection
- Threaded connection
- Welding

框架

- 镀锌板喷塑 (RAL 7035)
- 热浸锌板
- 不锈钢板
- 镀锌板

Frame

- Galvanized sheet plastic spraying (RAL 7035)
- Hot dip galvanized plate
- Stainless steel plate
- Galvanized sheet

管材

- 铜
- 铜镍合金
- 不锈钢
- 钛

Pipe

- Copper
- Copper nickel alloy
- Stainless steel
- Titanium

翅片

- 环氧树脂涂层
- 铝
- 铜
- 镀锡铜箔
- Blygold涂层
- 不锈钢
- 钛

Fins

- Epoxy coating
- Aluminum
- Copper
- Tinned copper foil
- Blygold coating
- Stainless steel
- Titanium

检修和清洁

- 易于清洁
- 可选的检修门或铰接的风扇版
- 便于清洁的翅片形式
- 高机械强度的坚固材料
- 易于维护

Maintenance and cleaning

- Easy to clean
- Optional access door or hinged fan version
- Easy to clean fin form
- Strong material with high mechanical strength
- Easy to maintain

AC/EC风扇

- 防护等级IP55
- 低能耗
- 变频器控制
- 耐高温风机
- 防爆风机
- 多种直径风机可选
- 910 1250 1800

AC / EC Fan

- Protection class IP55
- Low energy consumption
- Inverter control
- High temperature resistant fan
- Explosion proof fan
- Various diameter fans are optional
- 910 1250 1800

作为一个用心的合作伙伴, 为我们不仅可以提供专业的设计和安装指导以及可靠的设备, 还可以为您提供如:
射流器, 钢结构, 扶手, 爬梯, 膨胀罐..... 一切您所需的配件。

As a dedicated partner, we can not only provide professional design and installation guidance and reliable equipment, but also provide you with: fluidizer, steel structure, handrail, ladder, expansion tank.... All the accessories you need

射流器

- 散热器的多组合安装, 靠近遮挡物, 或置于地下室时, 确保热风不回流。



Fluidizer

- Multiple combination installation of radiator, close to shelter or underground. Ensure that the hot air does not return to the room



膨胀罐

- 缓冲系统中压力波动, 及时的补充、吸收因工作介质温度变化减少或增加的部分体积

Expansion tank

- Pressure fluctuation in buffer system, timely supplement and absorb the volume reduced or increased due to the change of working medium temperature

扶手、爬梯

- 保证操作保养人员工作时的安全

Handrail, ladder

- Ensure the safety of operation and maintenance personnel

钢结构

- 确保足够的进风空间及进气量, 保证设备的高效运行

Steel structure

- Ensure enough air inlet space and air volume to ensure efficient operation of the equipments

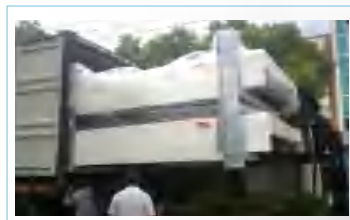


便利的运输、安装和维护

Convenient installation and maintenance

便于运输

- 模块化设计——便于组合安装
- 标准化设计——便于标准集装箱海运和标准卡车陆运



Easy to transport

- Modular design - easy to assemble and install
- Standardized design - easy for standard container shipping and standard trucks for land transportation

可靠性和防泄漏性能

- 经过验证的浮动盘管设计 (换热管与框架无任何接触)
- 在起重机或叉车运输过程中, 整体结构的侧板, 确保足够的扭转刚度
- 静态考虑雪/风荷载



Reliability and leak resistance

- Proven floating coil design (no contact between heat exchange tube and frame)
- In the process of transportation by crane or truck, the side plate of the whole structure shall ensure sufficient torsional rigidity and static consideration of snow / wind load

高附加值控制系统

- 能量调节功能
- 连续冷却-控制信号失效时的互通功能

High added value control system

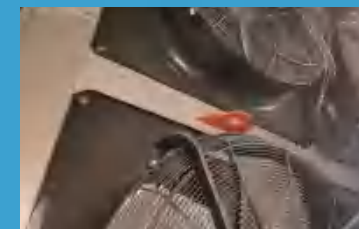
- Energy regulation function
- Interworking function in case of failure of continuous cooling control signal

简单安装

- 坚固的起重吊耳, 便于运输
- 合理支撑腿数量, 以实现较少的支撑撑腿数量和附件
- 工厂预安装组件

Simple installation

- Strong lifting lugs for easy transportation
- Reasonable number of support legs to achieve less number of support legs and accessories
- Factory pre installed components



Energy Management

HEM 提供接口支持数据推送,可集成到第三方总控制平台
Hem provides interface support for data push, which can be integrated into the third-party general control platform



散热器可选项目表 Radiator Optional Item List

换热管 Tube	翅片 Fin	外壳 Case
光铜管 Bare Copper Tube	铝翅片 Aluminum Fin	铝板喷塑 Aluminium Sheet Sprayed
内螺纹铜管 Inner Grooved Copper Tube	亲水涂层铝翅片 Hydrophilic Coated Aluminum Fin	镀锌钢板 喷塑 Galvanised steel sheet Sprayed
不锈钢304管 SS304 Tube	铝镁翅片 Aluminum Magnesium Fin	不锈钢304 SS304
不锈钢316L管 SS316L Tube	铜翅片 Copper Fin	不锈钢316L SS316L
铜镍合金B10管 Copper Nickel Alloy B10 Tube	黑色涂层铝翅片 Black Coated Aluminum Fin	铝镁合金板 Aluminum-magnesium alloy sheet
铜镍合金B30管 Copper Nickel Alloy B30 Tube	金色酚醛涂层铝翅片 Gold Phenolic Coated Aluminium Fin	热浸锌钢板 Hot-dip galvanized steel sheet
钛管 Titanium Tube	镀锡铜翅片 Tinned Copper Fin	
	Blygold喷涂铝翅片 Blygold Sprayed Aluminium Fin	
	Blygold喷涂铜翅片 Blygold Sprayed Copper Fin	
	304不锈钢翅片 304 SS Fin	
	316L不锈钢翅片 316L SS Fin	

风机 Fan	电器控制 Electrical Control	其他 Others
AC 风机 AC Fan	接线盒 Junction Box	高低温双换热器 High and low temperature double heat exchanger
EC 风机 EC Fan	接线箱 Junction Box	湿帘系统 Pre-Cooling System
防爆风机 Explosion Proof Fan	EC风机控制箱 EC Fan Control Box	喷雾系统 Spray System
船用风机 Marine Fan	EC风机+湿帘控制箱 EC fan + Wet Curtain Control Box	钢结构 Steel Structure
不锈钢网罩 Stainless Steel Grilles	EC风机+喷雾控制箱 EC Fan + Spray Control Box	空气过滤网 Air Filter
塑料射流器 Plastic Jets	AC风机控制箱 AC Fan Control Box	检修门 Access Door
风筒射流器 Blower Jets	AC风机+湿帘控制箱 AC fan + wet curtain control box	
	AC风机+喷雾控制箱 AC Fan + Spray Control Box	
	AC风机变频控制箱 AC Fan Frequency Conversion Control Box	
	AC风机变频+湿帘控制箱 AC fan frequency conversion + wet curtain control box	
	AC风机变频+喷雾控制箱 AC fan frequency conversion + spray control box	



浸没式冷却 Immersion cooling

USA

Product Model: VDVD1691-1505EC+P+C
Medium: MEG25%
Design Condition: 50-45-40-50%
Pre-Cooling Pads System

61122001



浸没式冷却 Immersion cooling

USA

Product Model: VDVS5180-1208AC
Medium: Shell S5X
Design Condition: 60-50-45

01121037



浸没式冷却 Immersion cooling

USA

Product Model: VDFS491-0320EC
Medium: BC888
Design Condition: 60-50-35

01121022



浸没式冷却 Immersion cooling

USA

Product Model: VDFS691-0268EC
Medium: CL200
Design Condition: 60-50-45

01121010



数据中心 IDC

Shanxi, China

Product Model: VDVD891-0351EC+P+C
Medium: MEG35%
Design Condition: 37-32-37.2-36%
Low Pressure Spray System

54422204



数据中心 IDC

Russia

Product Model: VDVD480-0593AC-LN SS-AL
Medium: Water
Design Condition: 70-55-35

08719001



数据中心 IDC

Shandong, China

Product Model: VDVD880-385
Medium: Water
Design Condition: 35-30-25

544210408



数据中心 IDC

Wuhan, China

Product Model: VDFD-0040EC+P
Medium: LCS300
Design Condition: 45-40-35.2-61%
Pre-cooling Pad System

544210408



空调及冷冻 HVACR

Russia
Product Model: VDVD1663-0763AC+S
Medium: Water
Design Condition: 36-32-30-40%

54417008



空调及冷冻 HVACR

Australia
Product Model: VDVS491-0528EC+P+C
Medium: Water
Design Condition: 58-35-35-40%

01321013



空调及冷冻 HVACR

Shanghai, China
Product Model: VDVD2091-0428EC+C
Medium: MEG35%
Design Condition: 45-40-35
York chiller cooling
Fan speed 330RPM 10 meters noise 31 dB(A)

83821001



空调及冷冻 HVACR

Peru
Product Model: VDVD1091-0700AC+P+C
Medium: Water
Design Condition: 50-45-35

54418018



发电 Power Generation

Shanxi, China
Product Model: VDVD691-1273HT+0244LT
Unit model: G3516,
Power generation 1200kW,
Gas generator set high and low temperature
radiator-V shape

09120002



发电 Power Generation

Africa
Product Model: VDFS3180-1036LT+1036HT
Unit Model: MAN9L32/40,
Power Generation 4340kW,
High and low temperature radiator for
heavy oil generator set - flat shape

03419001



太阳能光热冷却 Solar Thermal System Cooling

Xizang, China
Product Model: VDFD1291-2184
Medium: MEG40%
Design Condition: 90-53.8-23
4750m Altitude

18419001



太阳能光热冷却 Solar Thermal System Cooling

Xizang, China
Product Model: VDFD1463-1484AC
Medium: MEG40%
Design Condition: 90-60-23
4750m Altitude

18418002



自由冷却 Free Cooling

Heilongjiang, China

Product Model: VDFD1063-0396AC

Medium: MEG40%

Design Condition: 7-0--5

18519001



自由冷却 Free Cooling

Nantong, China

Product Model: VDVD1071-0572AC

Medium: Water

Design Condition: 12-7-0

64418002



氨冷凝器 R717 Condenser

Australia

Product Model: VCVD1691-0600EC+P

Configuration: SUS304 tube, ordinary aluminum fins.

blygold spray Coating, plastic spraying shell

01122023



C5防腐干式冷却器 Dry cooler

Australia

Product Model: VDVD-1091

SUS316L shell, high anti-corrosion fins, SUS316L heat exchange tube, used in places with high anti-corrosion requirements

01122027



CO2气体冷却器-Gas Cooler

Shopping Mall

Product Model: VGVS280-280-0519EC+P_SS-Al

Medium: CO2

Design Condition: 85.4Bar 2419kg_h 110 35 32

18418002



CO2气体冷却器-Gas Cooler

Sport Centre

Product Model: VGVD1491-4456EC+P

Medium: CO2

Design Condition: 81Bar 16100kg_h 102 35 31.1

01520008



CO2气体冷却器-Gas Cooler

Beijing, China

Product Model: VGVD1491-4456EC+P

Medium: CO2

Design Condition: 81Bar 16100kg_h 102 35 31.1

01520009



防爆干冷器 Explosion-proof Dry Cooler

Singapore

Product Model: VDFS380-0170

Medium: MEG50%

Design Condition: 50-44-39

04618003